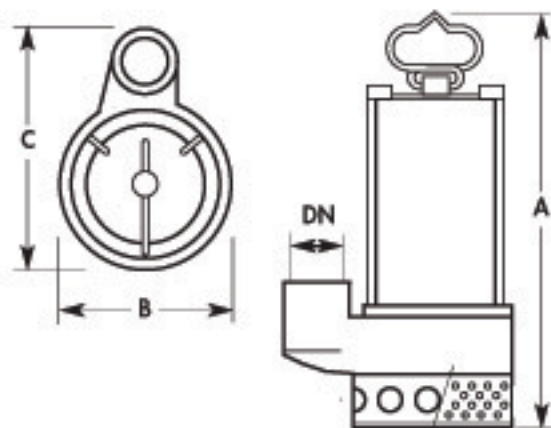
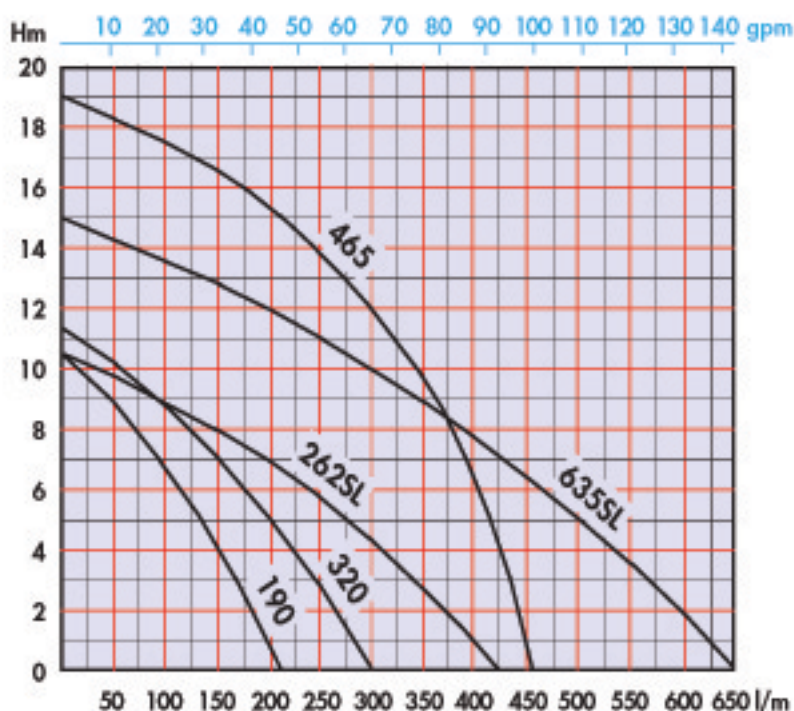


SEMISOM 190/262/320/465/635

submersible pumps for clean/dirty water applications

These Semisom submersible pumps have been designed for clean/dirty water drainage applications. They feature impellers engineered to offer various solids handling capabilities from 5mm to 32mm diameter.

- Cast iron/Stainless construction
- Coolant filled motors
- Mechanical seals
- 10 metre cable as standard on all 110, 230 and 400V models
- Manual or float switch on all 1 phase models
- Choice of bare cable or UK plug unit incorporating capacitor and thermal trip on 230V
- *Special audible/visual alarm control box, ask for details.*



TECHNICAL DATA

MODEL	NOMINAL		NOM. AMP			DIMENSIONS mm				SOLIDS mm dia	WEIGHT Kg
	kW	HP	110V	230V	400V	A	B	C	D N		
190	0.37	0.50	-	2.5	1.2	335	164	225	1¼"	5	11.3
320	0.55	0.75	10.0	4.2	1.7	360	164	225	1¼"	13	12.8
262SL	0.55	0.75	10.0	4.2	1.7	400	172	250	2"	32	16.0
465	1.1	1.5	14.5	7.3	2.7	440	172	250	2"	5	19.1
635SL	1.1	1.5	14.5	7.3	2.7	440	172	250	2"	32	18.8